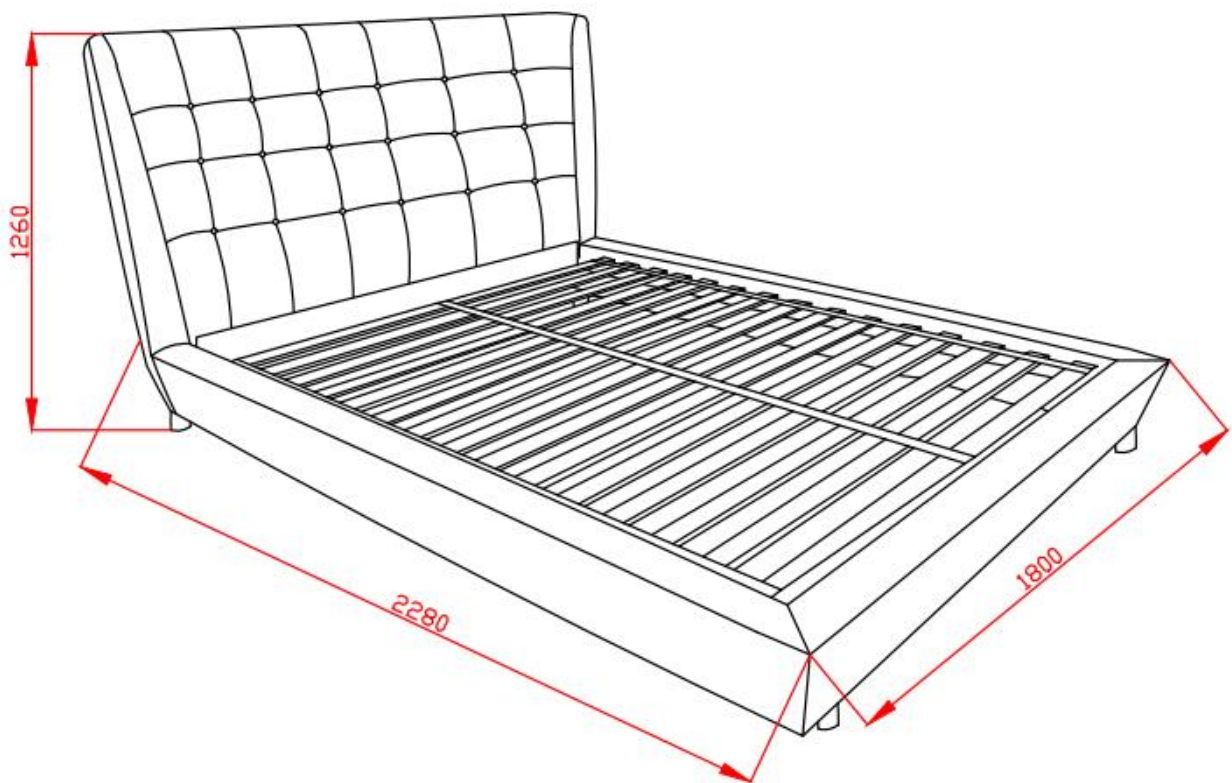


# ASSEMBLY INSTRUCTION

## FULTON

Queen Bed

68047


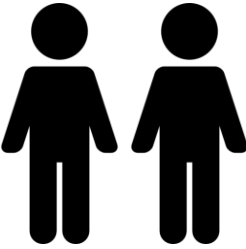



Imported by JWA Furniture Pty Ltd, Qld, Brisbane Australia.  
For any assistance with assembly or for missing parts please refer to your receipt

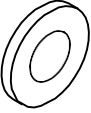
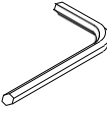

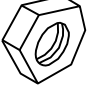



# PRE-ASSEMBLY PREPARATION

## Before you start:

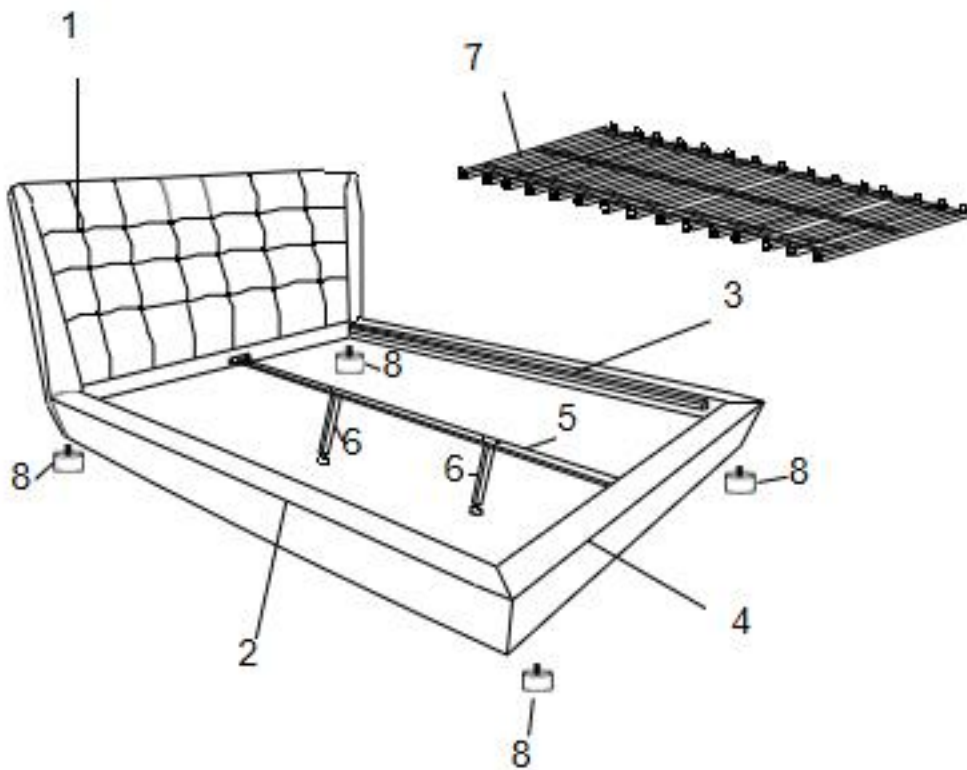
1. Choose a clean, level, spacious assembly area. Avoid hard surfaces that may damage the product
2. Take care when lifting. Product should be assembled as near as possible to the point of use
3. Ensure that you have all required contents for complete assembly
4. Always read the assembly instructions carefully before beginning assembly.
5. Keep all hardware parts and packaging out of reach of small children.
6. Do not over tighten the screws and bolts as this may damage the threads
7. Assembly is to be carried out by a competent adult(s) ONLY
8. During assembly, children should be kept away from the product due to possible risk to injury.
9. Do not use this item if any components are missing or damaged.
10. Please keep the instructions for future reference.

		
Allow 45 min	For 2 person	Additional tools required

## PARTS LIST

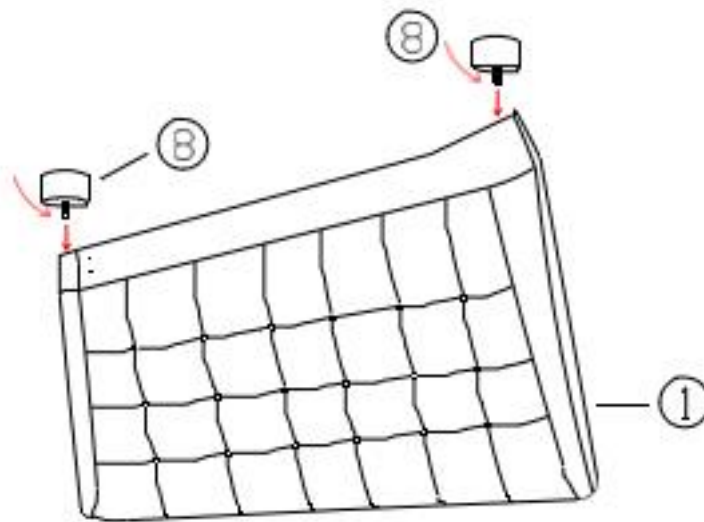
 <b>A</b> M8X19 X8	 <b>B</b> M5X100 X1	 <b>C</b> M12 X1	 <b>D</b> M12 X4
 <b>E</b> M4X30 X6	 <b>F</b> M8X40 X4	 <b>G</b> M8X30 X4	

No.	Item	QTY	No.	Item	QTY
1	Headboard	1	2	Left Side Rail	1
3	Right Side Rail	1	4	Foot Rail	1
5	Center rail	1	6	Support legs	2
7	Slats	1	8	Feet	4



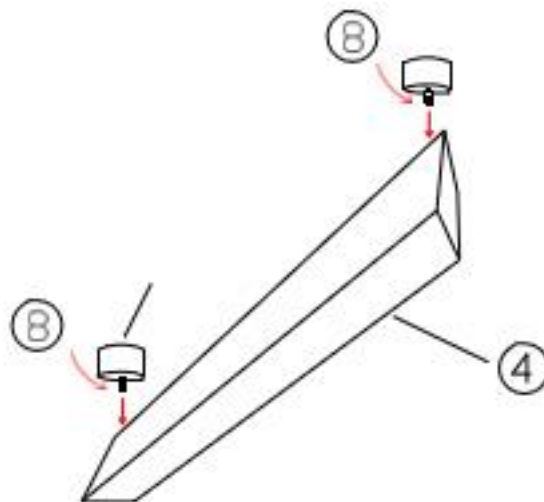
## STEP 1:

- Prepare a floor or bench with a blanket or cardboard.
- Stand the Headboard(1) upside down, have another person hold it.
- Screw in the 2 x FEET(8), as shown below.
- Stand the Headboard(1) with the feet on the ground and lean against a wall for the time being.



## STEP 2:

- Repeat Step 1 but this time do the Foot Rail(4). As shown below.

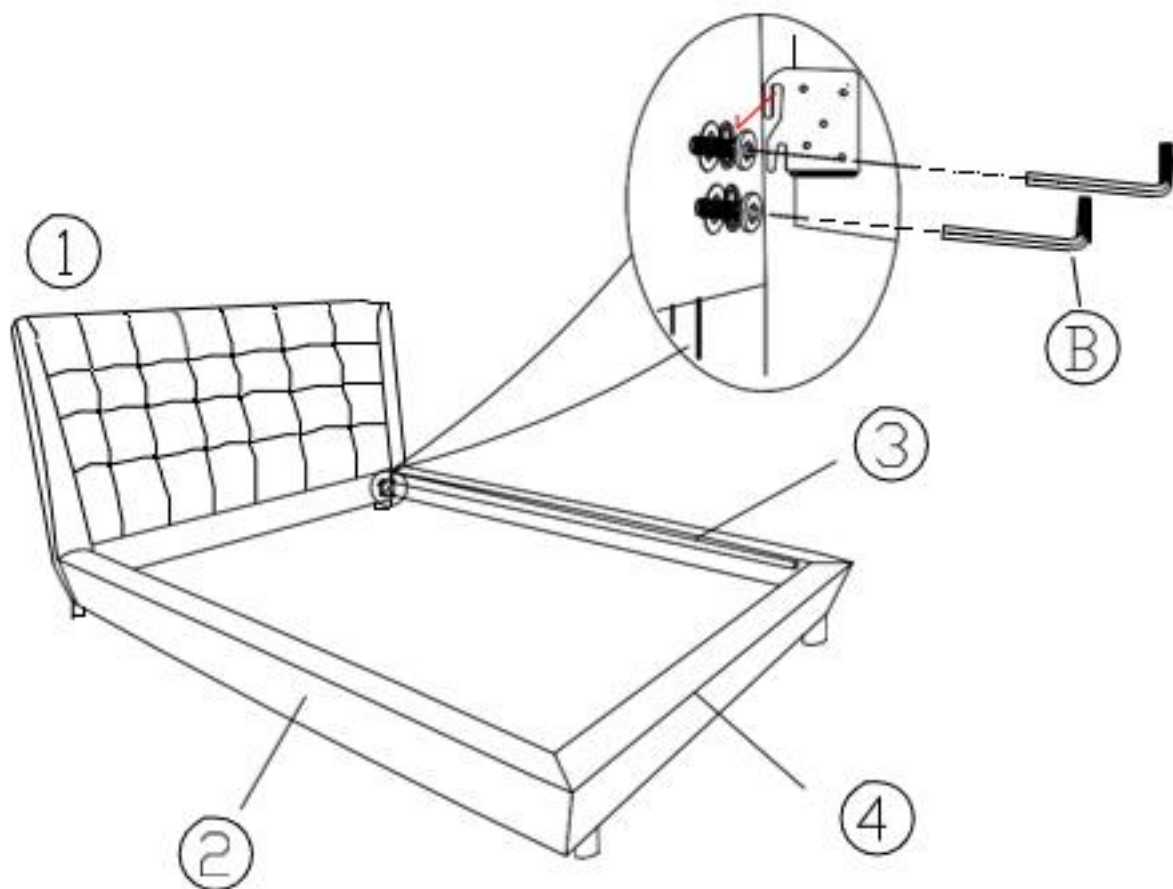


### STEP 3:

- Unscrew the bolts in the Headboard(1) and Foot Rail(4), so they are half way out.
- Have a 2<sup>nd</sup> person hold the headboard.
- Attach the Left Side Rails (2) to the Headboard(1), by clipping the bracket onto the bolts. Place the tongs of the brackets in-between the washer and headboard.
- Now, attach Left Side Rails (2) to the Foot Rail(4). ), by clipping the bracket onto the bolts. Place the tongs of the brackets in-between the washer and headboard.

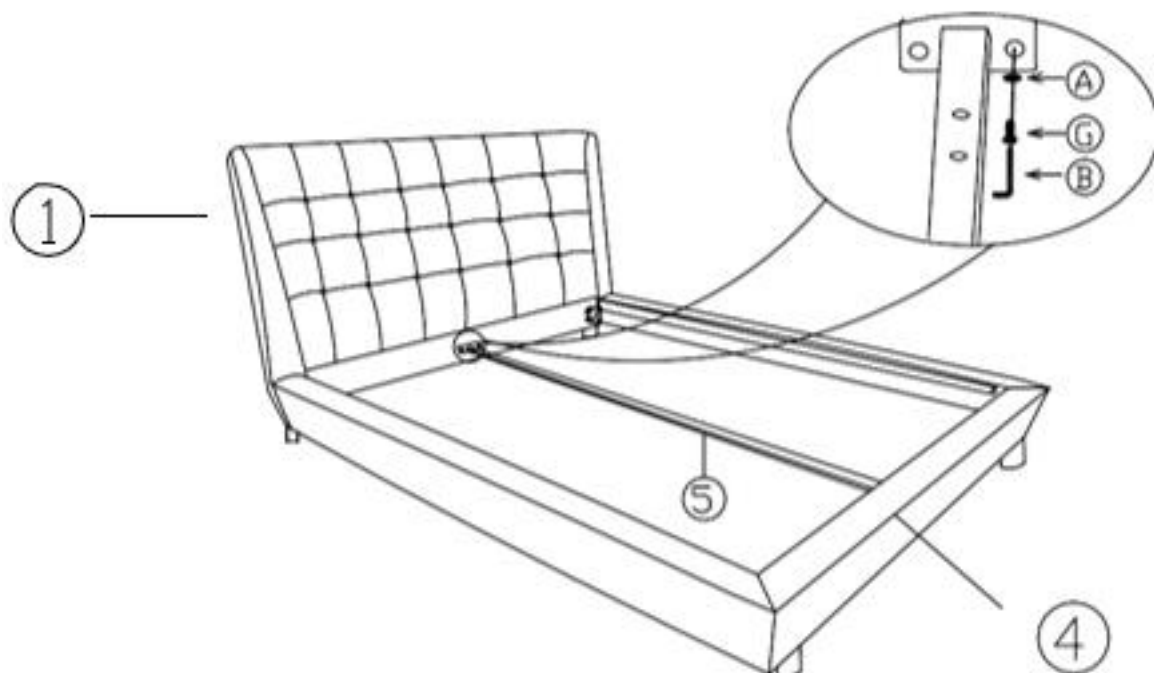
### STEP 4:

- Repeat Step 3, but this time do the Right Side Rail(3).



## STEP 5:

- Attach the Centre Rail(5) to the Headboard(1) and Foot Rail(4), as shown below.
- Use 4x Bolts(G) paired with Washer(A). Fasten with Allen Key(B).

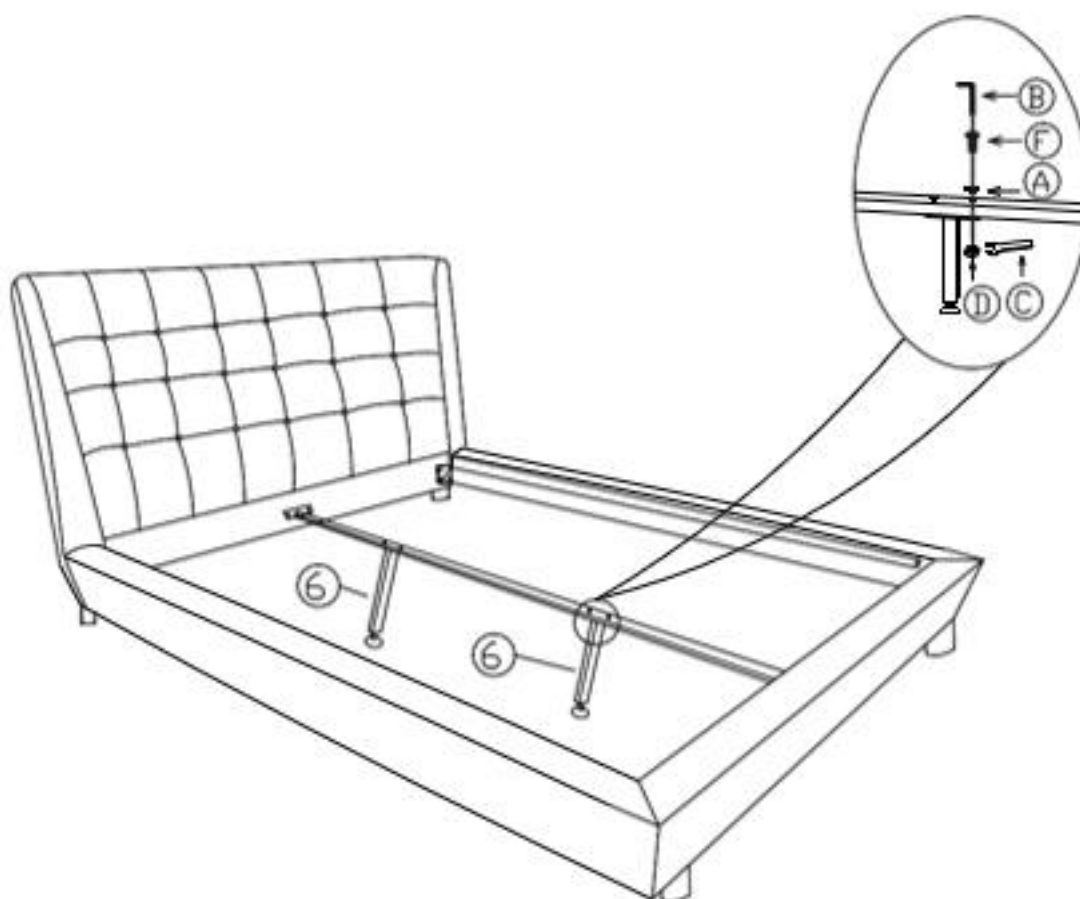


## STEP 6:

- Now go around and fully tighten all the bolts from steps 3&4 with Allen Key(B). Do not over tighten the bolts as this may damage the bed.

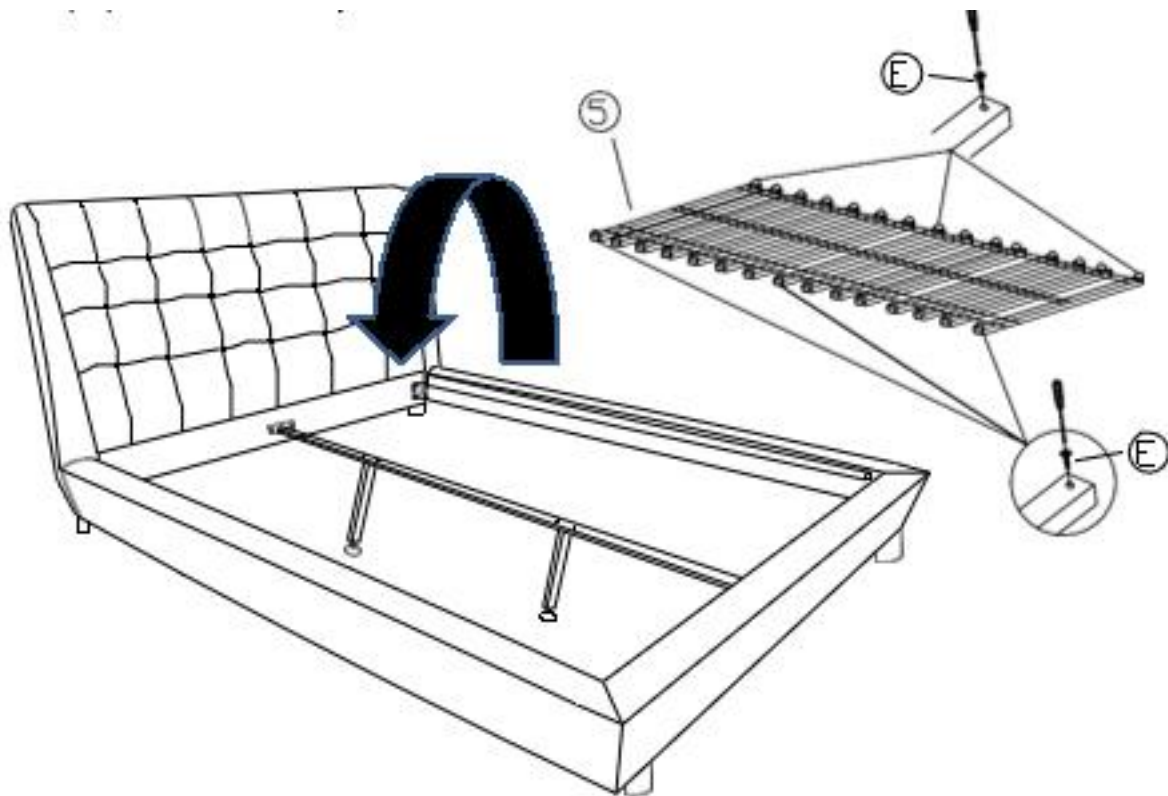
## STEP 7:

- Attach the 2 x support legs(6) to the Centre Rail(5). As shown below.
- Thread Bolt(F) Through Washer(A). Then push the bolt through the holes on the Centre Rail and Support Leg. Screw on Nut(D) on the bottom onto Bolt(F). Tighten bolt(F) with Allen Key(B), whilst holding nut(D) in-place with Wrench(C).



## STEP 8:

- Place the slats(5) into the bed, as shown below.
- Secure the ends of the slats to the side rails with screw (E) and a Philips head screw driver.



**ASSEMBLY IS COMPLETE**





**REGULAR CARE:**

- Protect from direct sunlight
- Vacuum regularly using low suction
- Rotate reversible cushions regularly

**CLEANING:**

- Do not remove cushion covers for separate cleaning even though they may have zippers
- Do not wash, Do not dry clean, Do not shampoo clean
- Clean with hot water extraction machine. Professional cleaning recommended
- Do not use dishwashing liquid or laundry detergent
- Use only upholstery detergents
- Do not wet filling
- Dry in shade away from direct heat and sunlight
- Allow to dry thoroughly before re-use

**SPOT CLEANING:**

- Do not rub
- Do not spot clean with any solvent
- Treat spills and stains as soon as possible
- Gently scrape off any soil or mop any liquid from the surface of the fabric
- Apply proprietary cleaning agents strictly according to instructions to remove the residue of the spill
- Do not saturate the fabric or interior with water or other cleaning liquids

**WARNING:**

Apply only water-based soil resist (fabric protection) treatments. Do not use aerosol products

\* PILLING IS NOT A FABRIC DEFECT OR FAULT AND IS NOT COVERED BY WARRANTY

\* PILLING IS A NORMAL OCCURRENCE CAUSED BY WEAR AND TEAR AND DOES NOT AFFECT THE DURABILITY OR FUNCTIONALITY OF THE FABRIC AND IS EASILY REMOVED